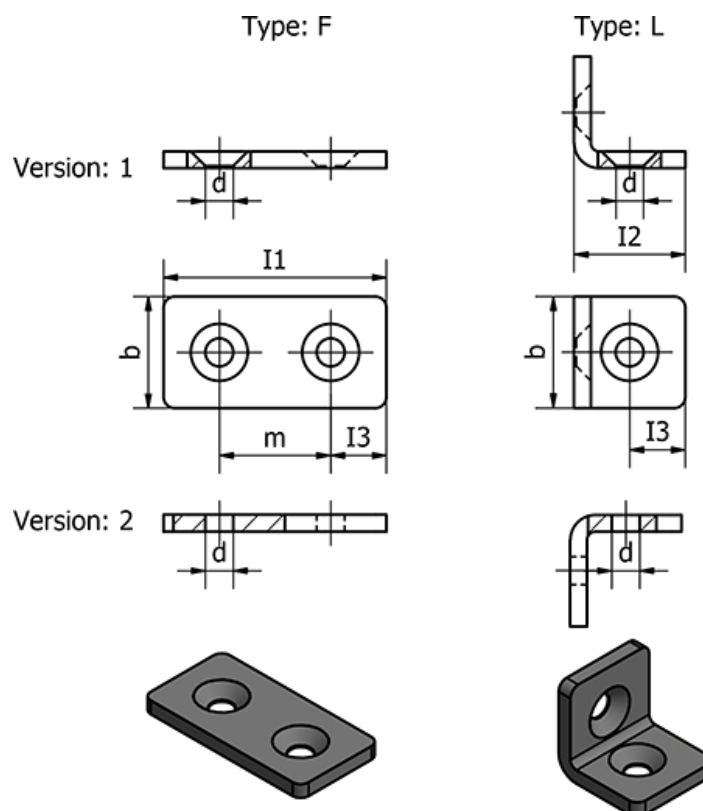


Article number: 209673060F2SW

Description: E+G Angle pieces/Shackels - GN 967-30-60-F-2-SW

Measures



b	= 30
d	= 6.3
I1	= 60
I2	= -
I3	= 15
m	= 30
s	= 4
Weight (g)	= 54